

MAGNETIC SEPARATOR



CYLINDRICAL MAGNETIC SEPARATOR

The magnetic separator is equipped with a stainless steel flap, behind which lies a ferrite permanent magnet. Ferrite magnets are primarily designed for capturing large iron particles. As a key component in the chain, the separator demands careful connection to the power supply, adhering to safety standards (NF EN 294).

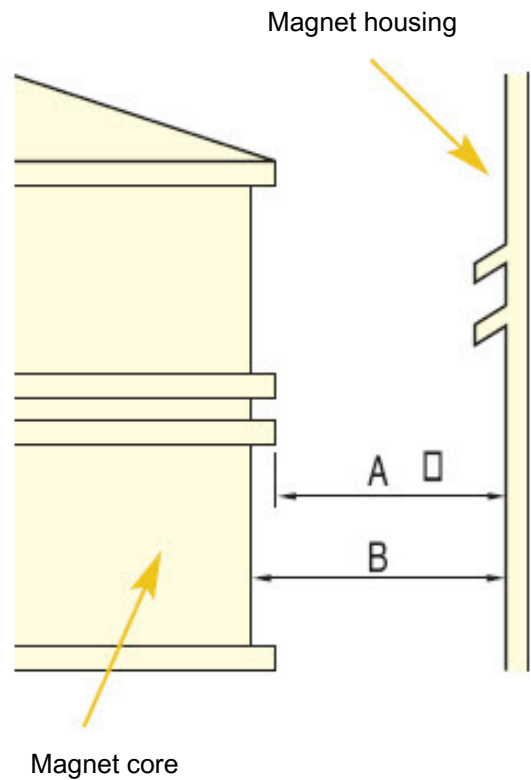
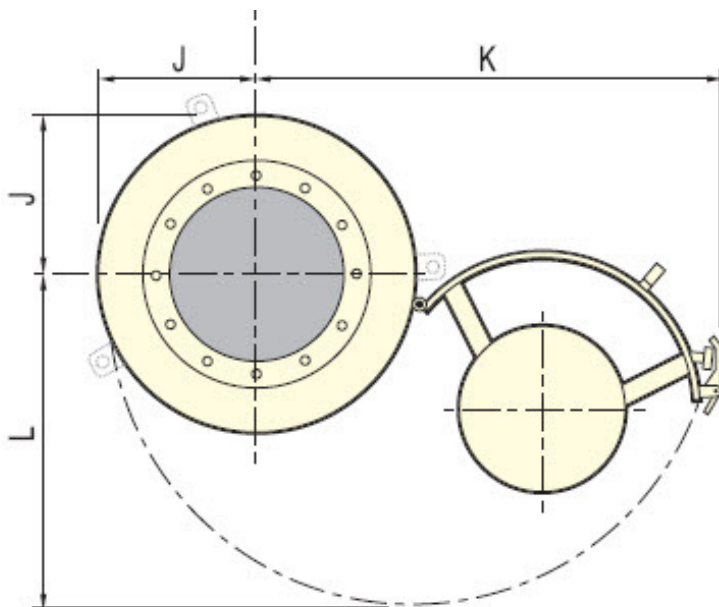
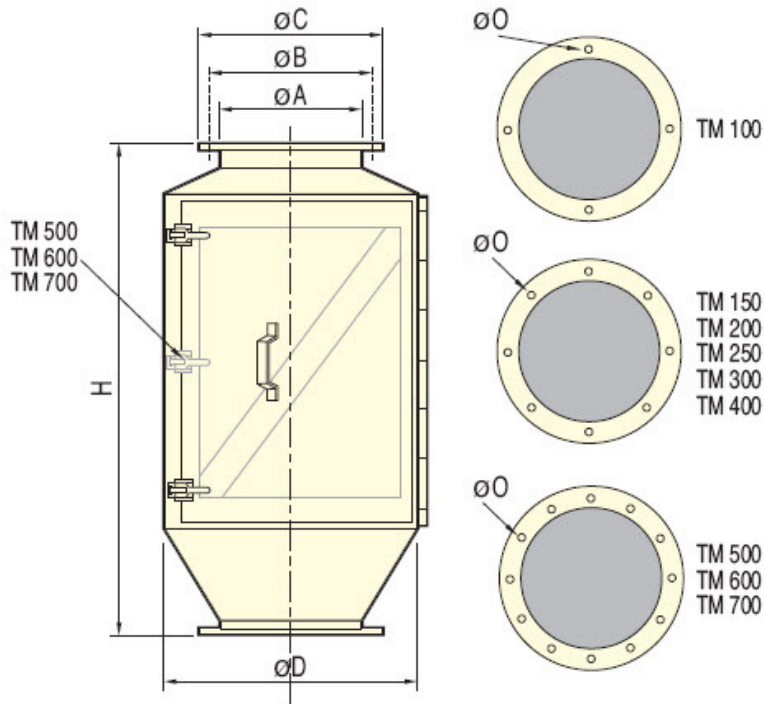
AUTOMATED MAGNETIC SEPARATOR

Our magnetic separators feature a standard three-section design, employing a robust 304L stainless steel body with a 3mm thickness across all models. The magnetic base incorporates a powerful ferrite C8 permanent magnet (150x300x88), delivering 3800 Gauss on contact, with an effective layer control of approximately 50mm.



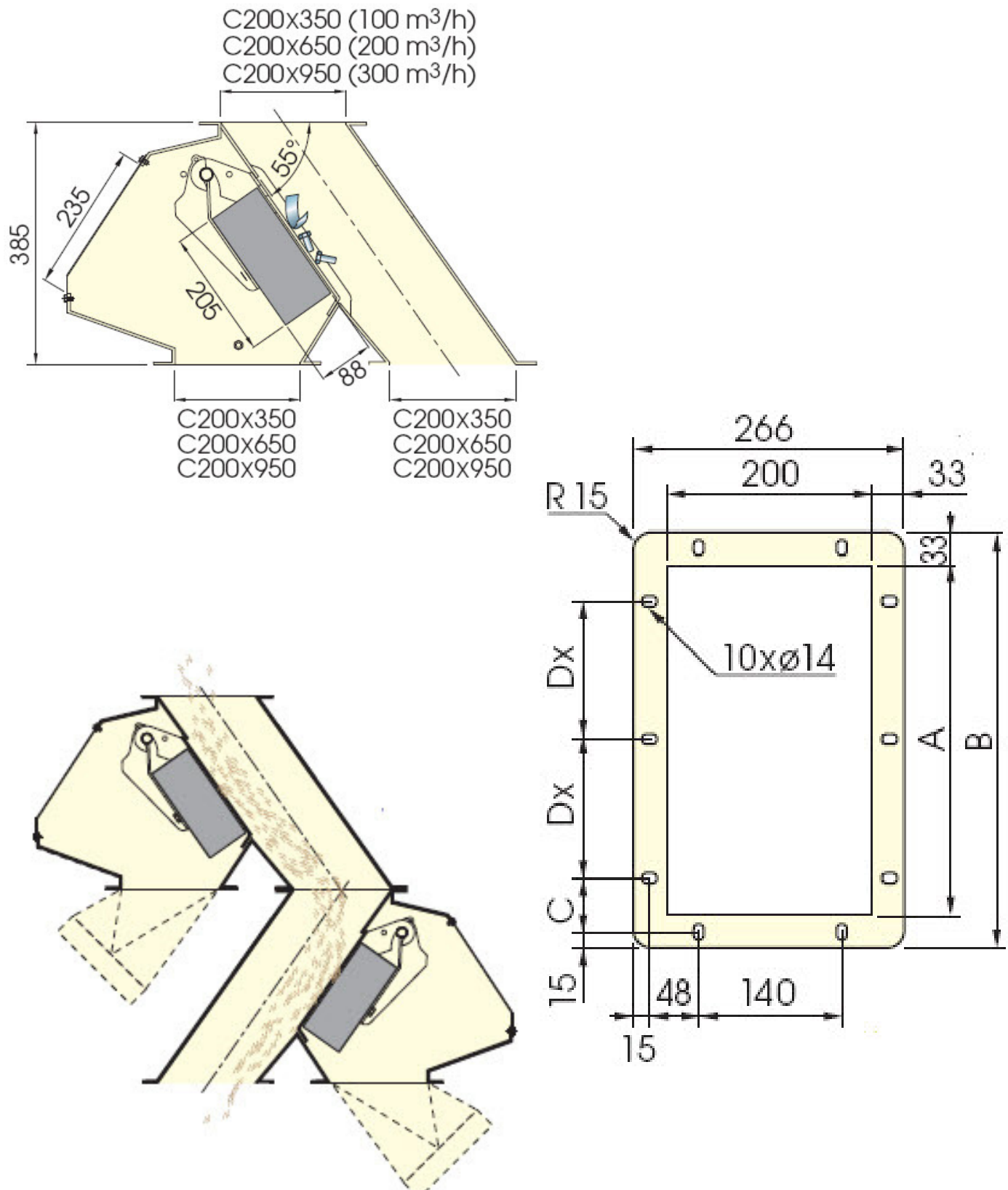
CYLINDRICAL MAGNETIC SEPARATOR

The magnetic separator features a stainless steel flap housing a ferrite permanent magnet designed for capturing large iron inclusions; as a crucial component in the chain, it requires careful connection to the power supply and adherence to safety standards (NF EN 294).



AUTOMATED MAGNETIC SEPARATOR

Our magnetic separators boast a three-section design with a robust 304L stainless steel body, 3mm thick across all models, and a powerful ferrite C8 permanent magnet base (150x300x88), delivering 3800 Gauss upon contact with effective layer control of about 50mm.



TM	Ø A	ØB	Ø C	Ø D	H	J	K	L	ØO	Ox
100	100	139	165	220	580	112	435	320	9,5	×4
150	150	200	225	275	655	139,5	515	380	11,5	×8
200	198	241	275	345	760	175,5	625	455	11,5	×8
250	248	292	325	430	850	218	750	550	11,5	×8
300	298	366	395	485	880	245,5	840	630	11,5	×8
400	395	448	484	600	1100	304	1025	710	11,5	×12
500	500	551	584	780	1200	390	1138	822	11,5	×12
600	600	665	700	935	1450	468	1338	962	14	×12
700	700	750	800	1000	1650	500	1432	1035	14	×12

TM	Capacity	Weight	Gauss	A	B
100	10 m3/h	23 kg	2300	37,5 mm	42 mm
150	35 m3/h	38 kg	2500	42,5 mm	50 mm
200	85 m3/h	70 kg	3600	40 mm	52,5 mm
250	130 m3/h	115 kg	4500	65 mm	77,5 mm
300	200 m3/h	145 kg	5100	62,5 mm	74,5 mm
400	260 m3/h	275 kg	5700	75 mm	90 mm
500	310 m3/h	460 kg	6200	114 mm	129 mm
600	400 m3/h	610 kg	7000	142 mm	157 mm
700	500 m3/h	750 kg	8000	179 mm	194 mm

Section	A mm	B mm	C mm	Dx	Ep
200×350	350	416	53	2×140	3
200×650	650	716	53	3×190	3
200×950	950	1016	53	5×170	3